

## Features

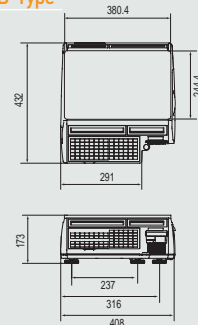
- ▶ Memory capacity
  - Standard : 3,000 PLUs & 1,000 ingredients
  - Option : 10,000 PLUs & 2,000 ingredients
- ▶ Speed key
  - Standard : 96 speed keys [48 keys × 2 (shift key)]
  - Pole : 144 speed keys [72 keys × 2 (shift key)]
- ▶ Graphic LCD : Commodity name  
Scrolling message, Menu text
- ▶ Scrolling message : 9 messages (Left & right scroll)

## Specifications

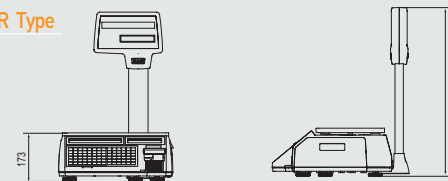
Model	CL5000			
Capacity	6 / 15kg	15 / 30kg	15 / 30 lb	30 / 60 lb
Interval	2 / 5 g	5 / 10 g	0.005 / 0.01 lb	0.01 / 0.02 lb
Max. Tare	-5.998kg	-9.995kg	-9.995 lb	-29.99 lb
Overload Range	Max. Capacity + 9d			
A/D Conversion	8 Times/sec			
Measurement Type	Load Cell			
Tray Size (mm)	382(W) × 246(D)			
Printer	100 mm/sec			
Printing Resolution	202 dpi			
Label Size	Width : 40mm ~ 60mm Length : 30mm ~ 120mm			
Fonts	Big / Medium / Small size, Italic, Bold, Under Line, Through Line, Double through line, Reverse, Shade, Outline			
Power Source	AC 100~240V, 50/60Hz			
Power Consumption	Max. 90W			
Operating Temperature	-10℃ ~ +40℃			
Product Weight	B Type : 10.5 kg			
	P Type : 12.0 kg			
	R Type : 11.2 kg			
	H Type : 14.2 kg			

## Dimensions

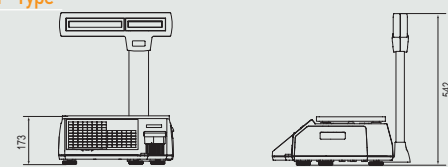
CL5000B Type



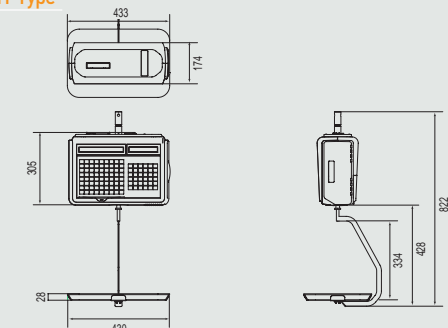
CL5000R Type



CL5000P Type



CL5000H Type



**CAS** [www.globalcas.com](http://www.globalcas.com)

CAS BLDG., #440-1, SUNGNAE-DONG  
GANGDONG-GU, SEOUL, KOREA  
TEL : 82-2-2225-3500  
FAX : 82-2-475-4668



Specifications are subject to change for improvement without prior notice.

2006.4

# Label Printing Scale CL5000 Series

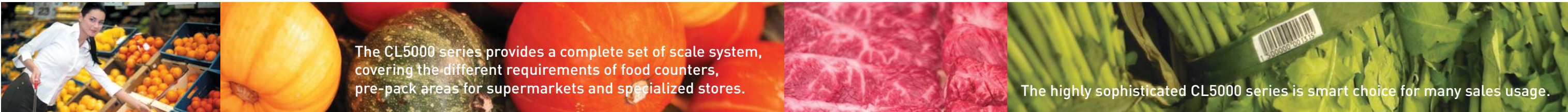


**Your best partner!**

- High Speed Thermal Printer
- User friendly PC Software (CL works)
- Free format Label design
- Flexible & Reliable Networking (Wired / Wireless)



**CAS**  
S · C · A · L · E



The CL5000 series provides a complete set of scale system, covering the different requirements of food counters, pre-pack areas for supermarkets and specialized stores.

The highly sophisticated CL5000 series is smart choice for many sales usage.

## Label Printing Scale - Features

### Display

- High legibility - VFD type
- Tare, Weight, Unit price, Total price
- Bright blue LCD
- PLU Name, Program Menu, Promotion and Advertisement



### Printer

- High speed printing (100mm/sec)
- Easy loading Label Cartridge



### PLU Key

- Membrane type
- "Double Click Call" allow doubling the PLU efficiency.
- ex) 96~144 direct call by double click of 48~72 keys



### Memory

Standard 3000 PLUs expandable up to 10000 PLUs

### Label Formats

- 65 Label Formats Various Label sizes available
- Continuous Label / Ticket
- 150mm Label

### BarCode Types

UPC, EAN13, EAN13A5, I20F5, CODE128, CODE39, CODE93, CODABAR, IATA20F5



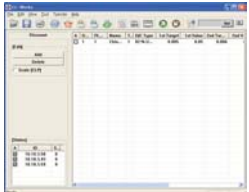
### Menu Code System

- No more scroll menus for programming.
- Unique 4 digit "Menu Code" allows pin point to desire program field without searching.
- ex) Menu Code "1120" is for Editing PLU name.

## PC Software - CL works

### User-Friendly Scale management software

PLU programming, Store data, Sales report, label editor, key- pad editor, and much more, control all the program data by CL works program.



**PLU Editor**  
Enable to easy PLU control  
Allows PLUs Management  
by Excel



**Label Editor**  
20 modifiable Label Formats  
Easy downloading of Label  
formats



**Keypad Editor**  
Easy to setup and download  
key design Colour Image  
Keypad supported

## Products Line - Up

### CL5000 Series is Suitable for any market sizes

- Large, medium, small size open market
- Pre-pack and self-service counter
- Hyper market



- Compact bench type** 48(96) PLU keys
- Stylish liner pole type** 72(144) PLU keys
- High legibility pole type** 72(144) PLU keys
- Easy rotating hanging type** 72(144) PLU keys

## Wired / Wireless Network

- TCP/IP Communication Protocol
- IEEE802.11B Specification Wireless Network
- 64/128 bit WEP Security system
- 1 to 1, Multi to Multi. Wired/Wireless Network
- Network structure for
  - Large, medium, small open market
  - Pre-pack and self-service counter
  - Hyper market

